

IHW WINDER

Interleaved and conventional
winding of bags on roll



IHW - Interleaved High Speed Winder

AUTOMATIC INTERLEAVED AND CONVENTIONAL WINDING
OF BAGS ON ROLL IN 1 OR 2 LANES



Roll-o-Matic

- number one in roll-bag solutions

The IHW is a high speed winder for interleaved and conventional winding of bags on rolls in 1 or 2 lanes. The interleaved bags are separated from each other after perforation and then wound - each bag overlaps the previous one. This way the act of detaching the bags from each other becomes even more convenient for your costumers.

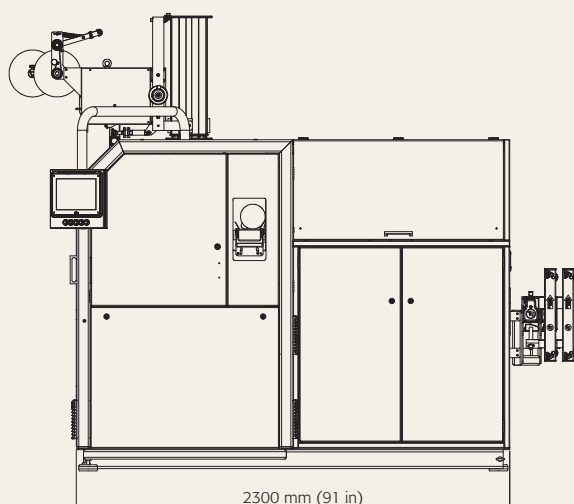
The IHW winder can be configured with modules of the Delta series, for production of interleaved bottom sealed, star sealed, wave top, T-shirt and star sealed T-shirt bags in 2 lanes, or interleaved draw tape bags in 1 lane. The IHW is equipped with 20 mm diameter chucks, which assures that the finished rolls are firm and tight. It is

possible to make up to 22 roll changes per minute without tape. For production with paper tape, the IHW can be equipped with the TD 200/20 tape equipment, and make up to 20 roll changes/min.

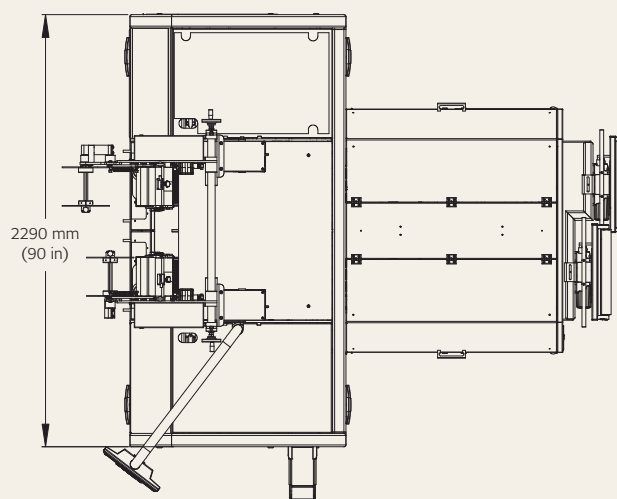
Technical data for IHW

| | | |
|---|--|--|
| Max. winding width 1 or 2 x 330 mm (13 in) | Max. film speed 160 m/min (525 ft/min)* | Max. roll changes without tape 22/min |
| Max. total film thickness 400 µ | Max. roll diameter Ø 200 mm (7.9 in) | Max. roll changes with tape 20/min |

*) Depending on film quality and thickness.
Additional equipment: paper tape and automated packaging equipment.



Side-view

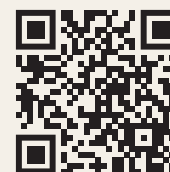


Top-view

At Roll-o-Matic we always focus on your production demands – therefore all Roll-o-Matic developments are **customer-driven** and **customer-oriented**. The IHW has been developed to meet our customer's requirements for high

speed interleaved winding in 1 or 2 lanes. The IHW is a stable and easy to operate winder with outstanding performance. Feel free to contact us for more information.

Video IHW



North America – Roll-o-Matic Inc.

1300 Minters Chapel Road, Suite 100 · Grapevine
TX 76051 · USA · Phone 1 (435) 237 7408 · sales@roll-o-matic.com

Headquarters – Roll-o-Matic A/S

Damsbovej 12 · DK-5492 · Vissenbjerg · Denmark
Phone +45 6611 1618 · sales@roll-o-matic.com · www.roll-o-matic.com

We reserve the right to change the displayed data.

WE ARE ALSO SPECIALISTS IN CUSTOMIZED SOLUTIONS