

DELTA T GREENLINE

Low energy consumption for production of T-shirt bags with thin gauge film



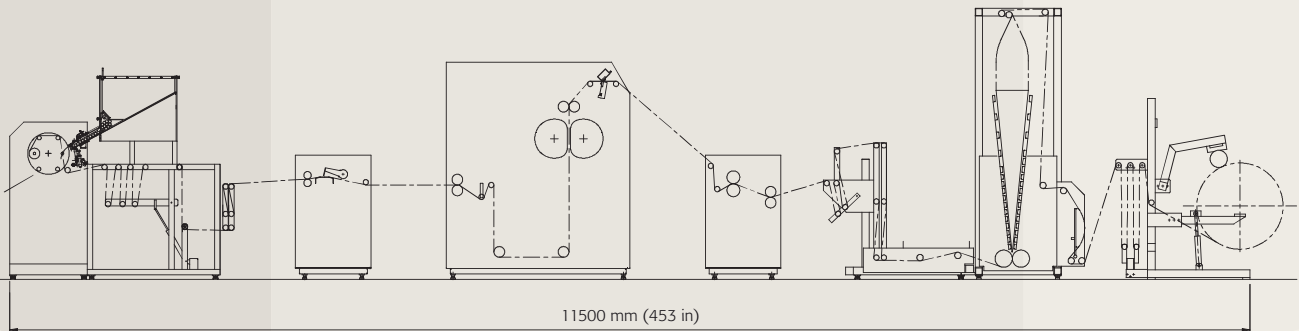
The Delta T Greenline has been specially developed for production of T-shirt bags with thin gauge film. It reduces the production costs due to reduced energy consumption.

You can run with full production speed with total sealing thickness up to 50 μ . It is possible to produce with reduced speed with a total thickness up to 150 μ .

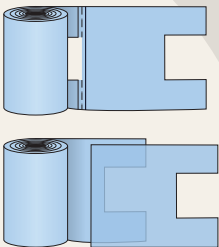
You can produce in-line with an extruder or out-of-line, from an unwinder, and the bags can be wound conventionally or interleaved.

Technical data

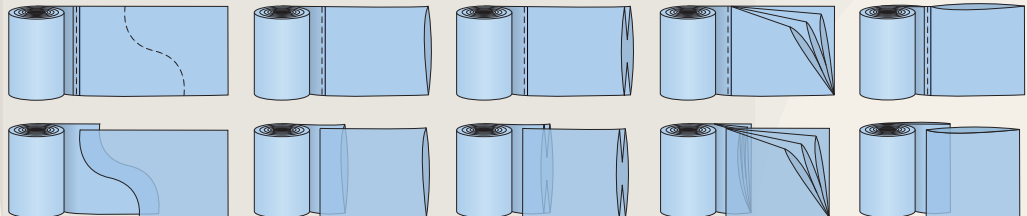
Min. film thickness	5 microns	Max. cycles/min	300 (600 bags)	Max. speed	160 m/min (530 ft/min)
Max. total sealing thickness	150 microns	Min. bag length	420 mm (16.5 in)	Max. sealing width	1 x 900 mm (35.4 in) or 2 x 440 mm (17.3 in)



Types of bags



You can also produce



Roll-o-Matic
- number one in roll-bag solutions

North America – Roll-o-Matic Inc.

1300 Minters Chapel Road, Suite 100 · Grapevine
 TX 76051 · USA · Phone 1 (435) 237 7408 · sales@roll-o-matic.com

Headquarters – Roll-o-Matic A/S

Damsbovej 12 · DK-5492 · Vissenbjerg · Denmark
 Phone +45 6611 1618 · sales@roll-o-matic.com · www.roll-o-matic.com

We reserve the right to change the displayed data.

WE ARE ALSO SPECIALISTS IN CUSTOMIZED SOLUTIONS

DELTA T PLUS

Ultra-high capacity production of T-shirt bags in 2 lanes
Up to 700 bags per minute



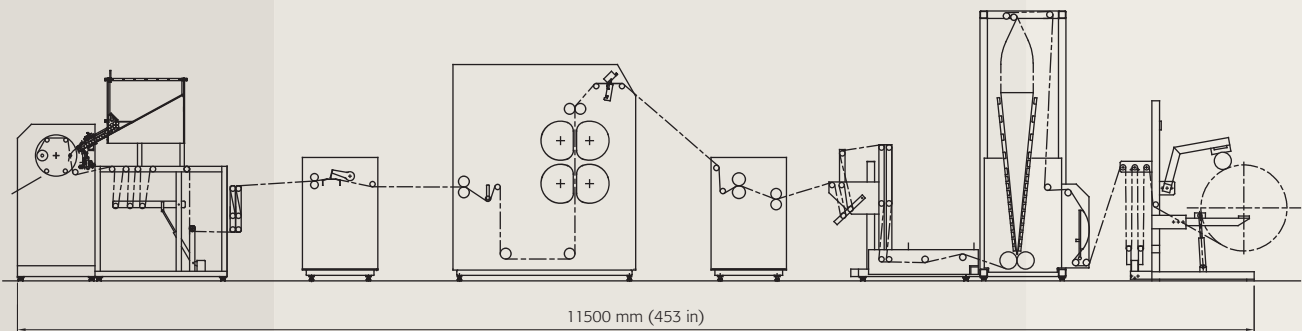
The Delta 900 T Plus was designed for customers that need an even higher production capacity than that of a standard Delta 900 T – the capacity increase is higher than 16%.

With the Delta 900 T Plus it is possible to produce up to 700 bags per minute, with total sealing thickness up to 90 μ . You can run with reduced speed with a total thickness up to 400 μ .

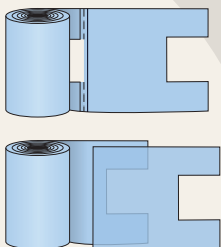
You can produce in-line with an extruder or out-of-line, from an unwinder, and the bags can be wound conventionally or interleaved.

Technical data

Min. film thickness	5 microns	Max. cycles/min	350 (700 bags)	Max. speed	160 m/min (530 ft/min)
Max. total sealing thickness	400 microns	Min. bag length	350 mm (13.8 in)	Max. sealing width	1 x 900 mm (35.4 in) or 2 x 440 mm (17.3 in)



Types of bags



You can also produce

